

LC-MPN Series Small flow meter for Corrosive liquid

LC-MPN Series Flow meter with wetted parts made of PP or PVDF for corrosive liquid measurement, capable of detecting a minimum flow rate of 13 ml/min.



Operating Principle

when the corrosive liquid enters through the inlet, it flows onto the sensor, generating a signal proportional to the flow rate. The magnetic sensor detects the number of rotations within the chamber and outputs a square wave pulse signal. The flow meter features a simple structure, high durability, stable operation in low flow conditions, and excellent repeatability.

Features

- Excellent Repeatability
- Best for batch control
- Different wetted parts material for corrosive
- Suitable for low flow chemical and aggressive liquid

Product flow coefficient

Model	K factor	Starting flow	Flow range (ml/min)	Remark
LC-MPN-10	6.500	293	750-15000	conventional
LC-MPN-8	4.400	198	500-10000	Non-standard
LC-MPN-7	3.600	162	400-8000	conventional
LC-MPN-6	2.700	122	300-6000	Non-standard
LC-MPN-5	2.400	108	250-5000	conventional
LC-MPN-4	1.80	81	200-4000	Non-standard
LC-MPN-3	1.27	57	150-3000	Non-standard

LC-MPN-2	0.810	36	100-2000	conventional
LC-MPN-1	0.385	17	50-1000	conventional
LC-MPN-0.8	0.288	13	40-800	Non-standard
LC-MPN-0.5	0.250	11	30-600	conventional
LC-MPN-0.4	0.166	7	20-400	Non-standard
LC-MPN-0.3	0.148	7	15-300	conventional

LC-MPN-XX-PP, indicates inlet diameter XX mm, material is PP

LC-MPN-XX-PVDF, indicates the inlet diameter XX mm, the material is PVDF

Pressure resistance: 10BAR

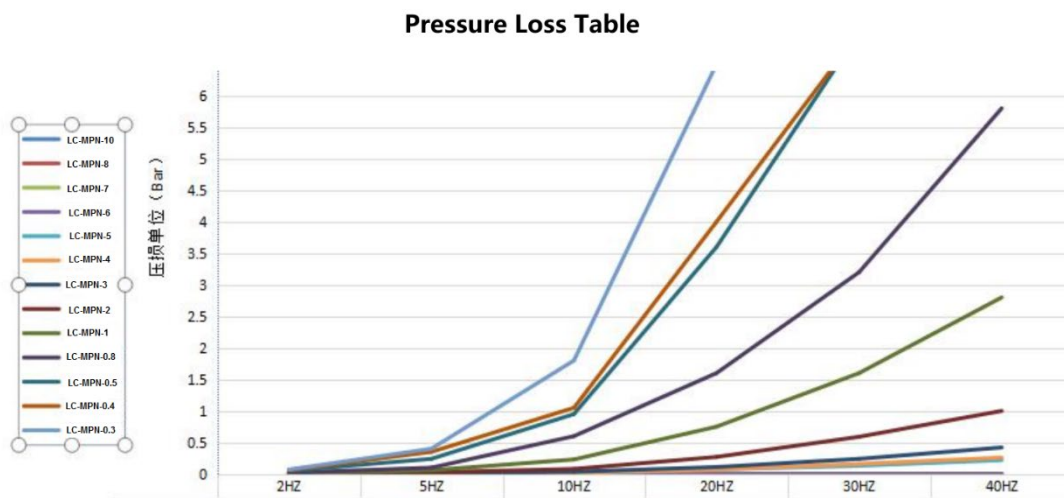
Sealing ring: nitrile rubber/fluorine rubber/PTFE

Connection: G1/2 male thread;

Accuracy: $\pm 2\%$ of reading

According to the different measured liquid, select the sensor after confirming the corrosion resistance of the main material of the wetted part.

Pressure Loss

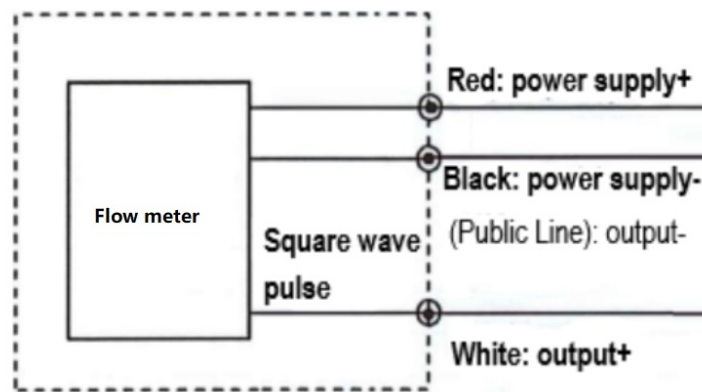


Model	2HZ	5HZ	10HZ	20HZ	30HZ	40HZ	K factor
LC-MPN-10	0	0	0	0	0	0	6.500
LC-MPN-8	0	0	0	0	0	0	4.400
LC-MPN-7	0	0	0	0	0	0	3.600
LC-MPN-6	0	0	0	0	0	0	2.700
LC-MPN-5	0.004	0.008	0.02	0.07	0.13	0.22	2.400
LC-MPN-4	0.005	0.009	0.02	0.07	0.16	0.26	1.80

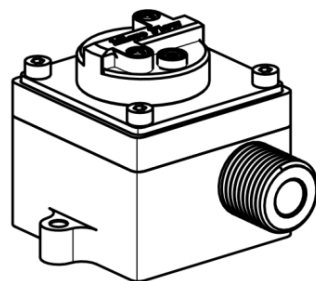
LC-MPN-3	0.006	0.013	0.035	0.11	0.24	0.42	1.27
LC-MPN-2	0.008	0.026	0.080	0.27	0.59	1	0.810
LC-MPN-1	0.01	0.06	0.23	0.75	1.6	2.8	0.385
LC-MPN-0.8	0.02	0.1	0.6	1.6	3.2	5.8	0.288
LC-MPN-0.5	0.05	0.24	0.95	3.6	x	x	0.250
LC-MPN-0.4	0.06	0.35	1.05	4	x	x	0.166
LC-MPN-0.3	0.07	0.4	1.8	6.5	x	x	0.148

Remark: for size above LC-MPN-5, pressure loss is zero

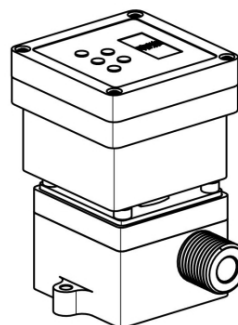
Wiring



Product Pictures

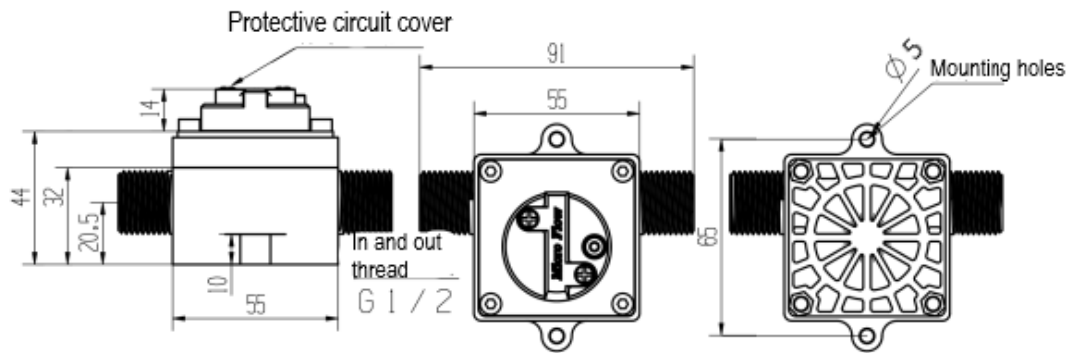


No display

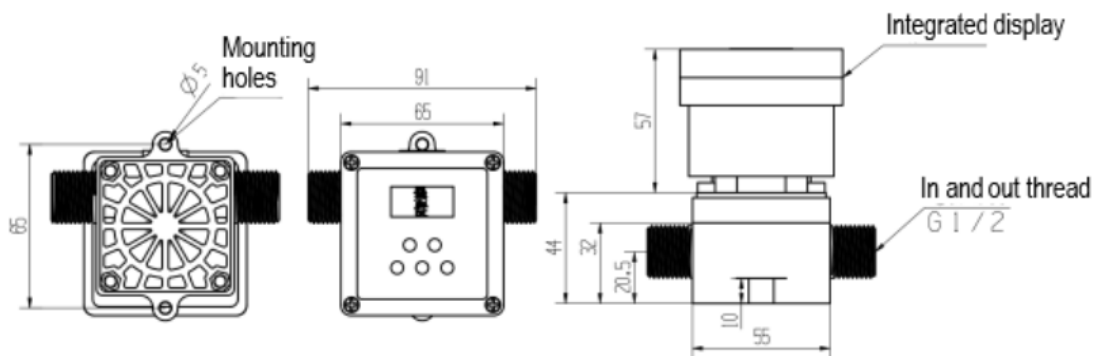


Integrated display

Dimensions



Flow Meter without Display



Flow Meter with Display